




HAKOFA-430 FUME EXTRACTION ESD SAFE




- Air-purifying fume extractor realizing powerful suction with quiet operation
- Freestanding flexible ducts facilitate production changeovers
- Three airflow levels are selectable according to working environments


Replacement Parts

	Part No.	Name	Specifications
	A1573	Main filter	
	A1572	Pre-filter	set of 10
	B3619	Cap	



Option

	Part No.	Name	Specifications
	C1571	Duct set	w/ rectangular type nozzle




	C1572	Duct set	w/ round type nozzle
	B3642	Duct	Φ55mm×1.2m
	B3620	Adapter	
	B3621	Adapter	3 inch
	B3622	Nozzle/rectangular type	
	B3623	Nozzle/round type	
	B3625	Net	set of 5
	B2410	Duct/2m	Φ75mm×2m
	B2416	Duct band	set of 2

	B2418	Bench top plenum/clear	
---	-------	------------------------	--

-When using an independent duct

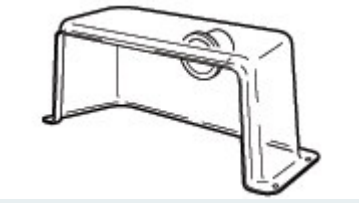


Part No.	Part Name	Notes
B3642	Duct	<p data-bbox="563 526 671 553">ø55 x 1.2 m</p> 
B3620	Adapter	<p data-bbox="563 853 850 880">For attaching duct to main unit.</p> 

-Choose from one of 2 types of nozzles for the independent duct.

Part No.	Part Name	Notes
B3622	Nozzle, rectangular	<p data-bbox="563 1249 959 1276">For absorbing smoke from the side.</p> 
B3623	Nozzle, round	<p data-bbox="563 1485 943 1512">For absorbing smoke from above.</p> 
B3625	Net (5 per pack)	<p data-bbox="563 1720 1351 1798">For preventing contaminants from being absorbed. (Mesh dimensions: Approx. 10 mm x 10 mm)</p> 

-When using a bench top hood

The benchtop hood detailed below requires the separate purchase of a different sized duct, duct band, and 3-inch adapter.

Part No.	Part Name	Notes
B2418	Benchtop hood	<p>For stopping smoke from escaping upwards without being affected by air conditioning.</p>  <p>*Requires $\phi 75$ duct, duct band (B2416), and 3-inch adapter (B3621).</p>
B2410	Duct	<p>Required when using benchtop hood.</p>  <p>*$\phi 75$ x 2 m. Not freestanding.</p>
B2416	Duct band	<p>Required when using benchtop hood.</p> 
B3621	Adapter (for 3-inch duct)	<p>Required when using benchtop hood and $\phi 75$ duct.</p> 